



 **ROUND**

Adaptation roller shutters is intended for use in existing buildings. The advantage of these products is that they do not require any special pre-installation preparation nor works to the existing structure as they are not integrated with the window. The construction of the systems is made of extruded aluminium that ensures its durability and resistance to abrasion and weathering.

**ROUNDED**

this option is characterized by the oval shape

**3 SIZES**

the box width and height  
137, 165, 180 mm

**ALUMINIUM**

The shutter roller is made of aluminum. This ensures structural stability and high product quality. The construction of the roller shutters is made of extruded aluminium that ensures its durability and resistance to abrasion and weathering.

characteristic

installation possibilities

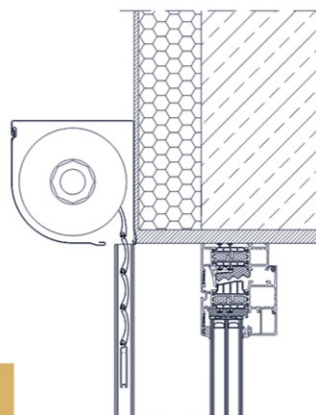
**control**

**manual or automatic**

*manual:* with a with a belt, a crank, or a belt with crank gearing

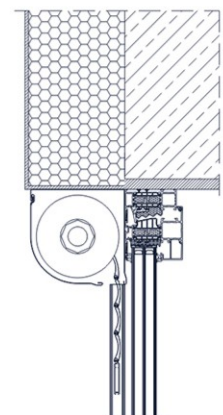
*automatic:* by a remote, a key or switch controls

*possibility of intelligent roller shutters control*



**a**

wall mounting



**b**

installation in a niche