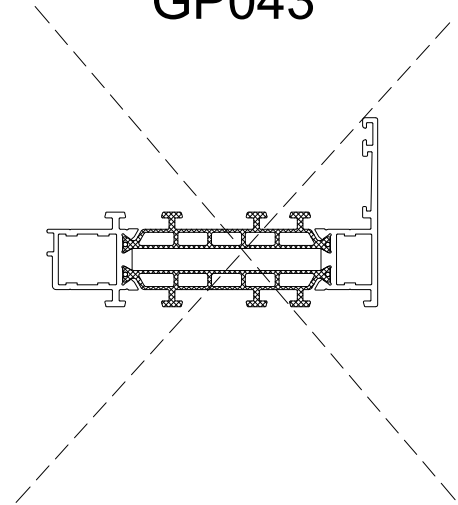


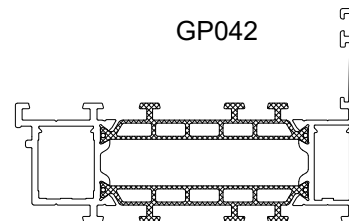
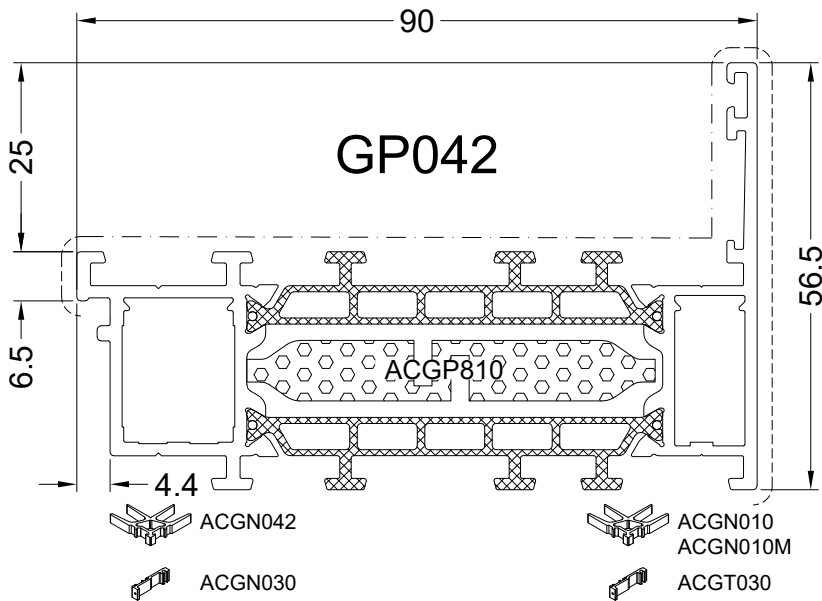
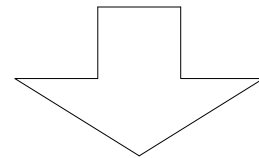
Aktualizacja / Update

GP90

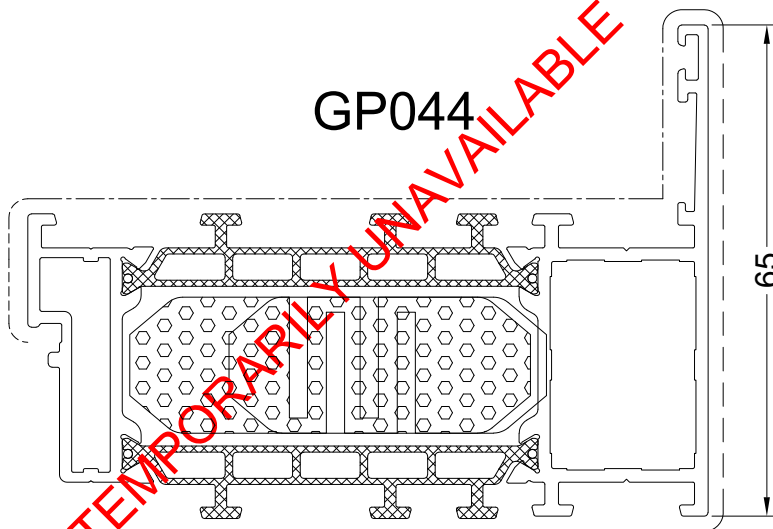
GP043



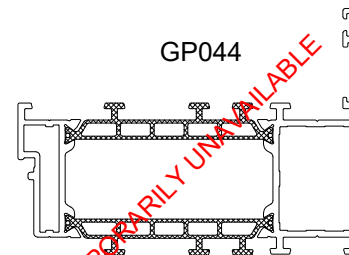
REPLACED BY GP042



GP042



GP044



GP044

GP042, GP044

ÓŚCIEŻNICA - SZKLENIE NA ZEW.
OUTERFRAME - OUT. GLAZING

alipplast
aluminium systems

L = 6.5 m

brut/RAL/wood/anoda